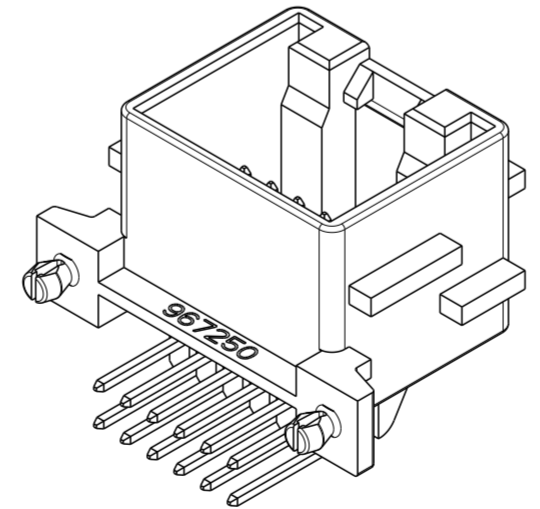
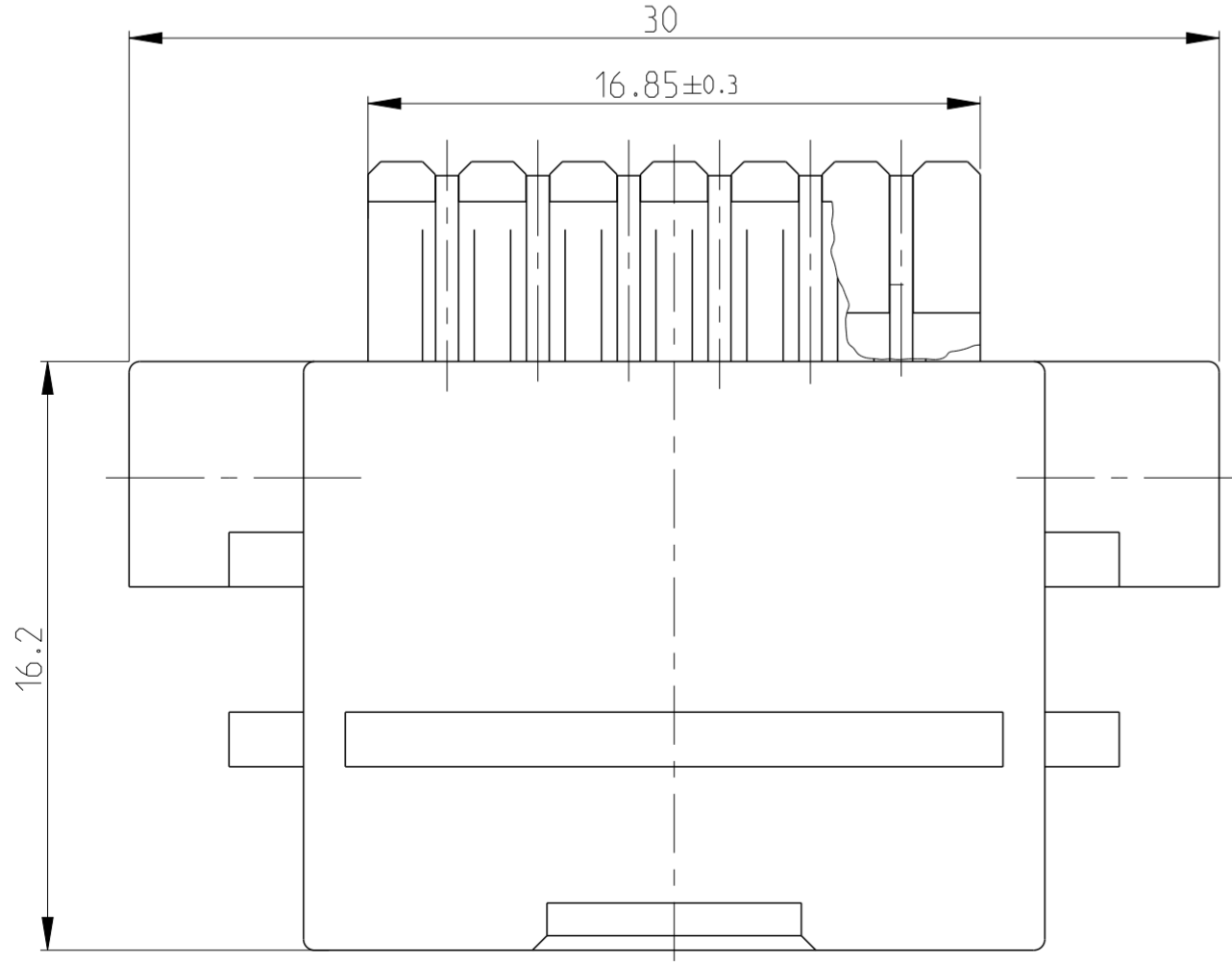
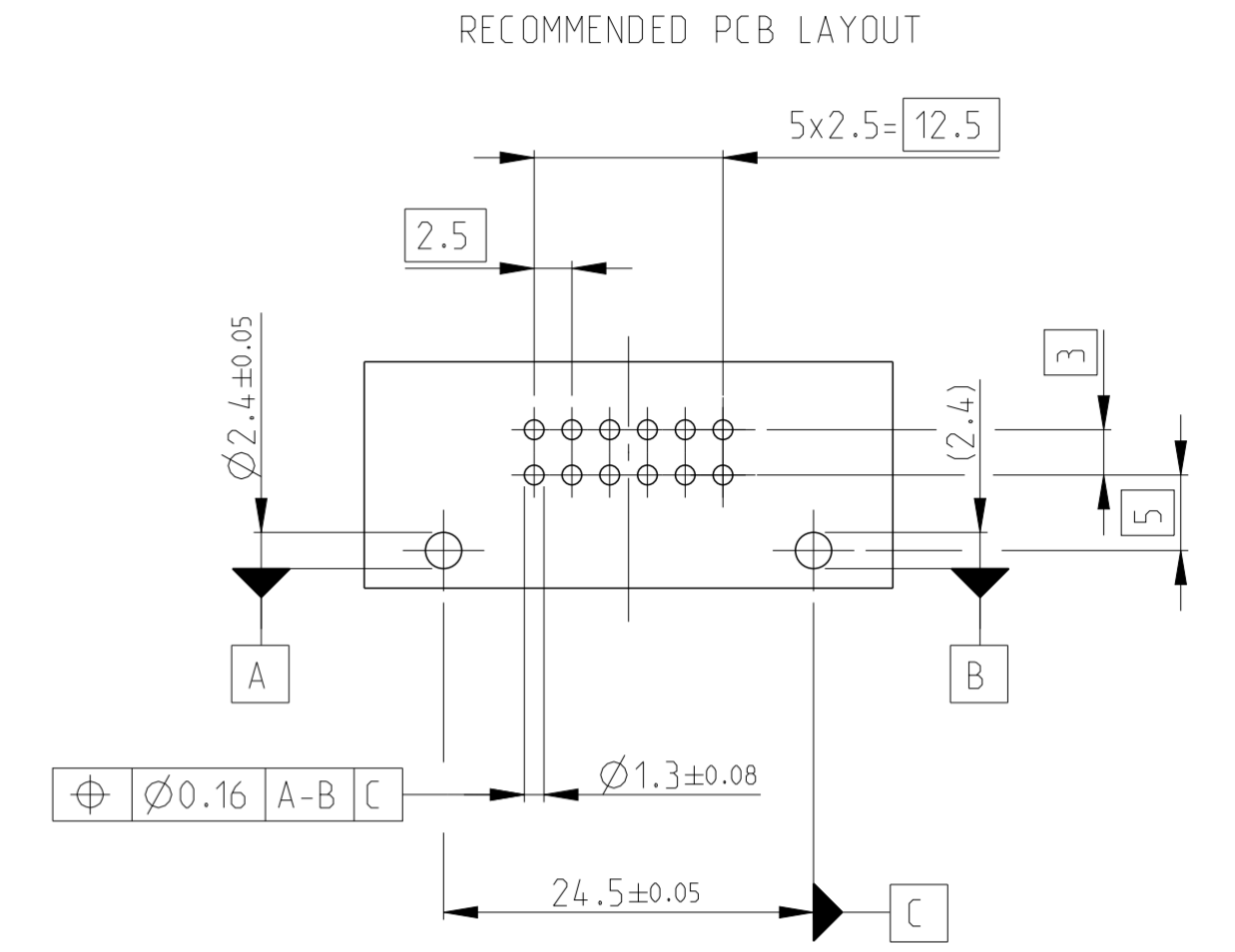
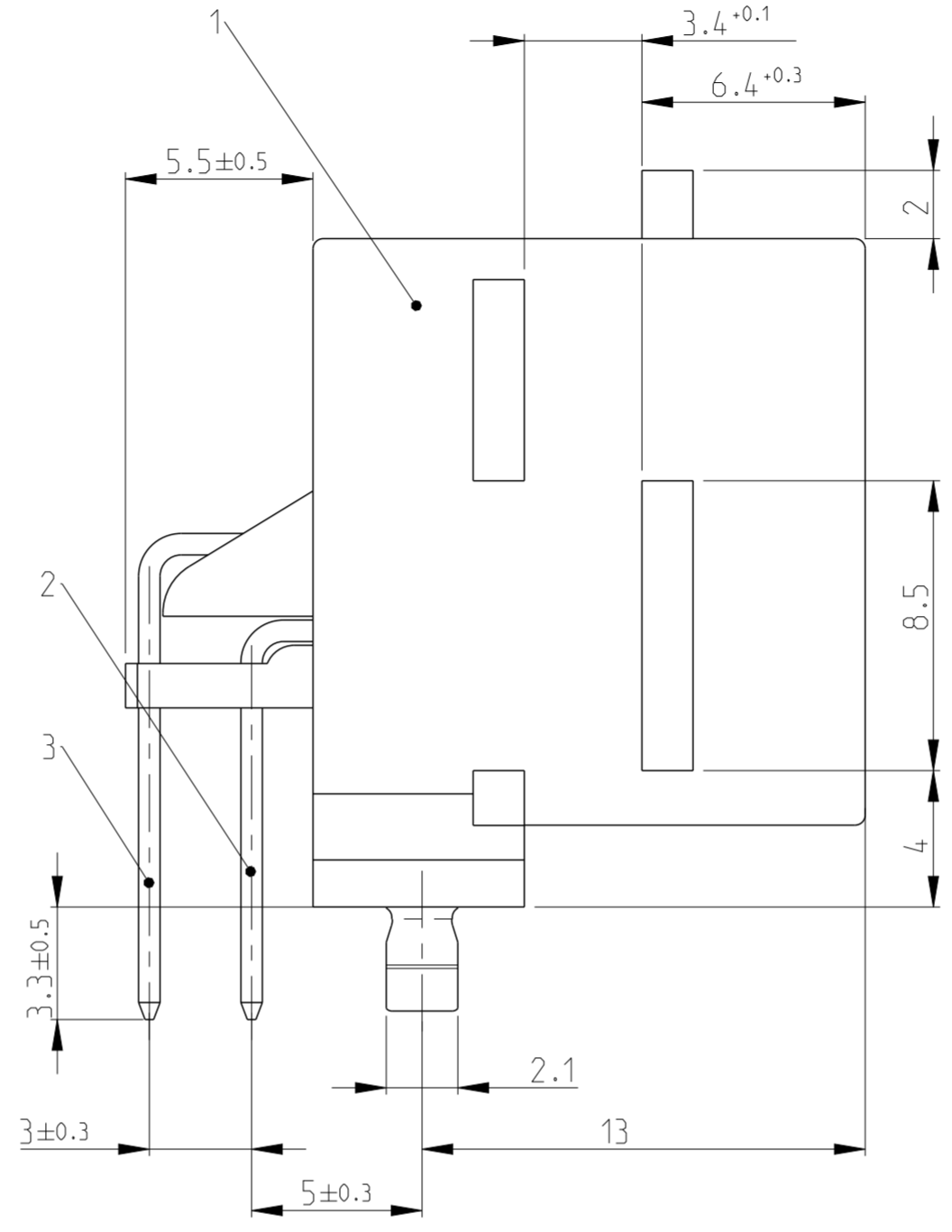
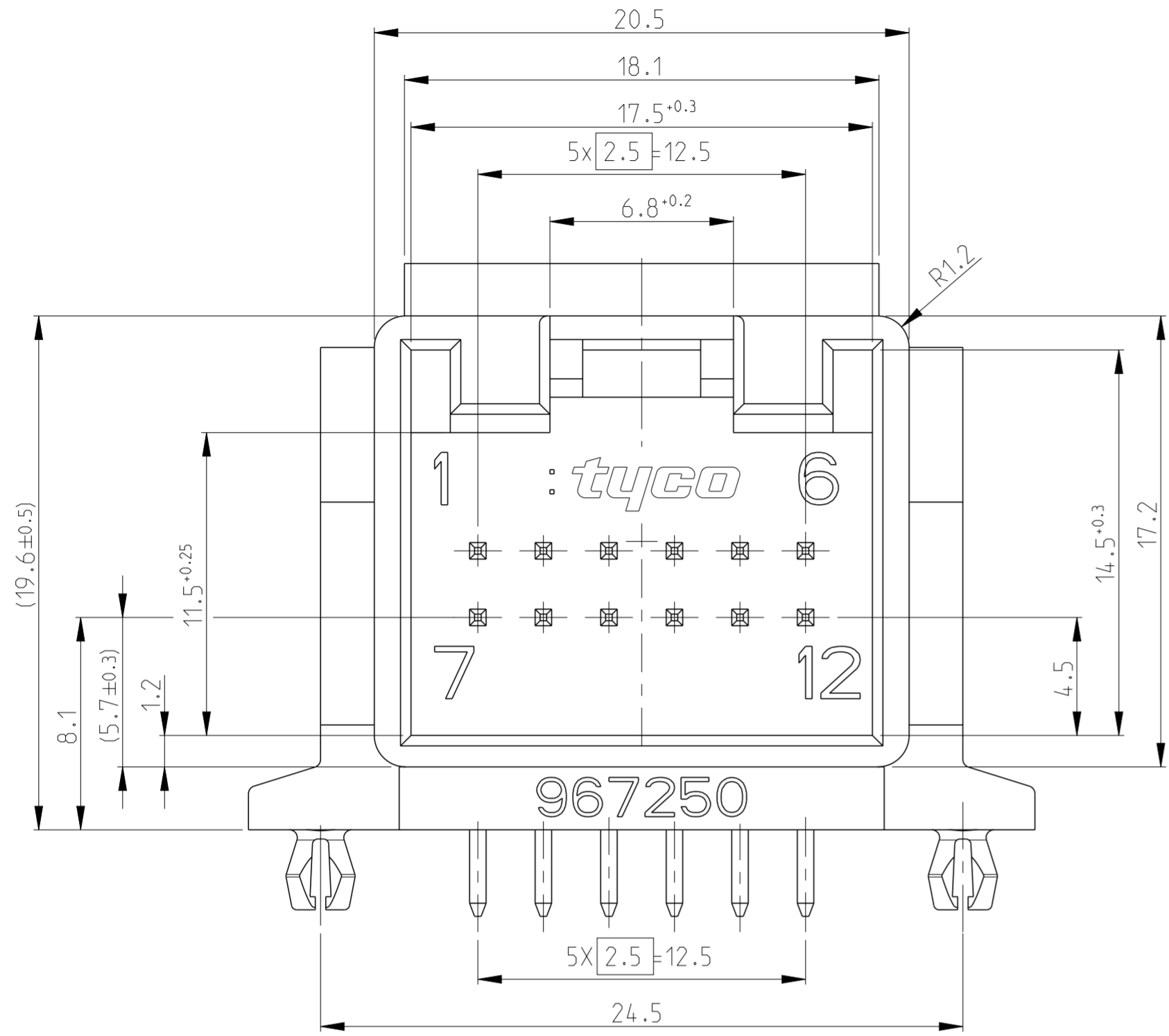


THIS DRAWING IS UNPUBLISHED  
 RELEASED FOR PUBLICATION  
 COPYRIGHT copyright\_date Tyco Electronics AMP GmbH  
 ALL RIGHTS RESERVED.

LOC		DIST		REVISIONS			
P	LTR	DESCRIPTION		DATE	DWN	APVD	
D1		SEE PCN ECR-09-024155		06NOV2009	GKT	BF	
D2		SEE PCN ECR-11-012806		18JUL2011	RM	BF	
D3		SEE PCN ECR-13-018654		27NOV2013	MM	BF	
D4		ECR-15-013673		16SEP2015	KK	BF	



2:1

RECOMMENDED PCB LAYOUT

Bemerkungen

- 1 Kontaktdurchdrückkraft >40N  
Contact push-through force >40N
- 2 Verpackungs-Spezifikation: V967250  
Packaging specification: V967250
- 3 Verpackt in Tray / PS Regenerat  
Packed in Tray / PS Regrind

TE PART NO	TE PART NO	REV.	POS.	MATERIAL	SURFACE COLOR	DESCRIPTION	ITEM NO
1-967250-1	967250-1	D	6	CuSn6	verzinkt	MODU II Stift □ 0.63	3
			6	CuSn6	verzinkt	MODU II Stift □ 0.63	2
			1	PBT GF 15	schwarz	2x6 pol. Gehäuse	1

THIS DRAWING IS A CONTROLLED DOCUMENT.

DIMENSIONS: mm

TOLERANCES UNLESS OTHERWISE SPECIFIED:

0 PLC	±0.2
1 PLC	±0.2
2 PLC	±
3 PLC	±
4 PLC	±
ANGLES	±2°
FINISH	

MATERIAL: SEE TABLE

SEE TABLE

DWN: M.Geberzahn 16.11.93  
CHK: M.Schwäger 18.11.93  
APVD: -  
PRODUCT SPEC: -  
APPLICATION SPEC: -  
WEIGHT: -

NAME: 2X6 POS. MODU II PIN HEADER  
2x6 pol. MODU II Stiftwanne

SIZE: A2 CAGE CODE: 00779 DRAWING NO: C-967250 RESTRICTED TO: -

CUSTOMER DRAWING SCALE: 5:1 SHEET: 1 OF 1 REV: D4

STE TE Connectivity